

Argonaut Bogie Spare Parts Listing

Distributors

For Your Trailer Axle Suspension Needs Call York :

Head Office

Singapore

York Transport Equipment (Asia) Pte. Ltd.

No. 5 Tuas Avenue 6, Singapore 639295

Email : enquiry@yorktpt.com.sg

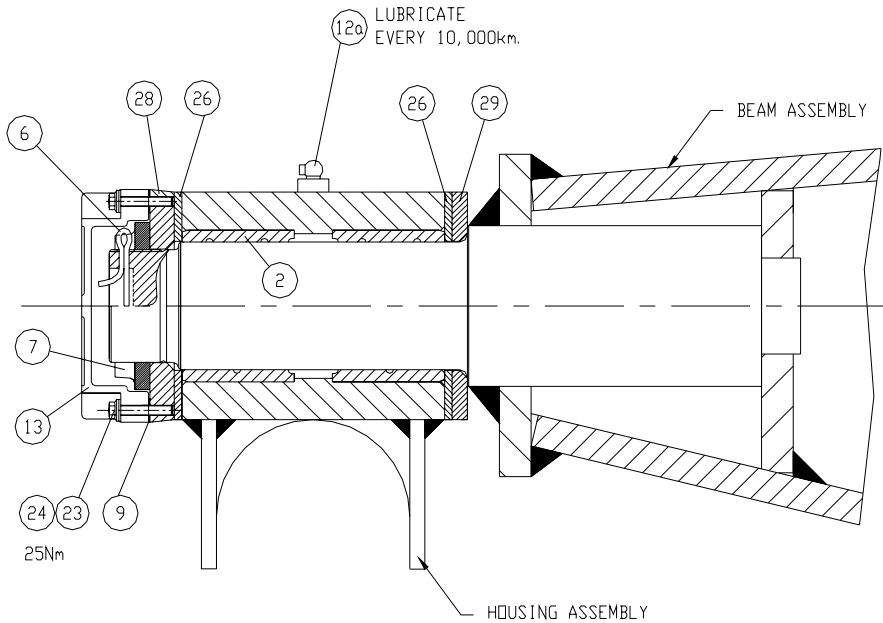
Tel : (65) 6861 0577

Fax : (65) 6861 4045

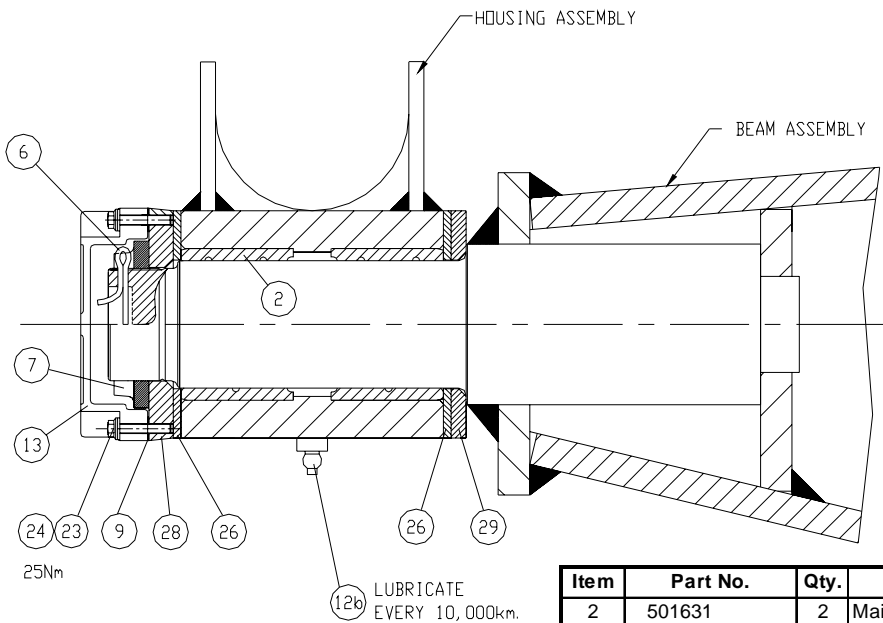
<u>Content</u>	Page
1. Installation Recommendation:	
Pivot Installation	2 - 3
a) Axle Pivot Installation	2
b) Main Pivot Installation	3
2. Spare Parts List:	
a) Bogie Components	4
b) Air Chamber and Linkage	5
c) Axle Component (Hub & Drum)	6
d) Axle Component (Brake Parts)	7

Axle Pivot Installation

Overslung



Underslung

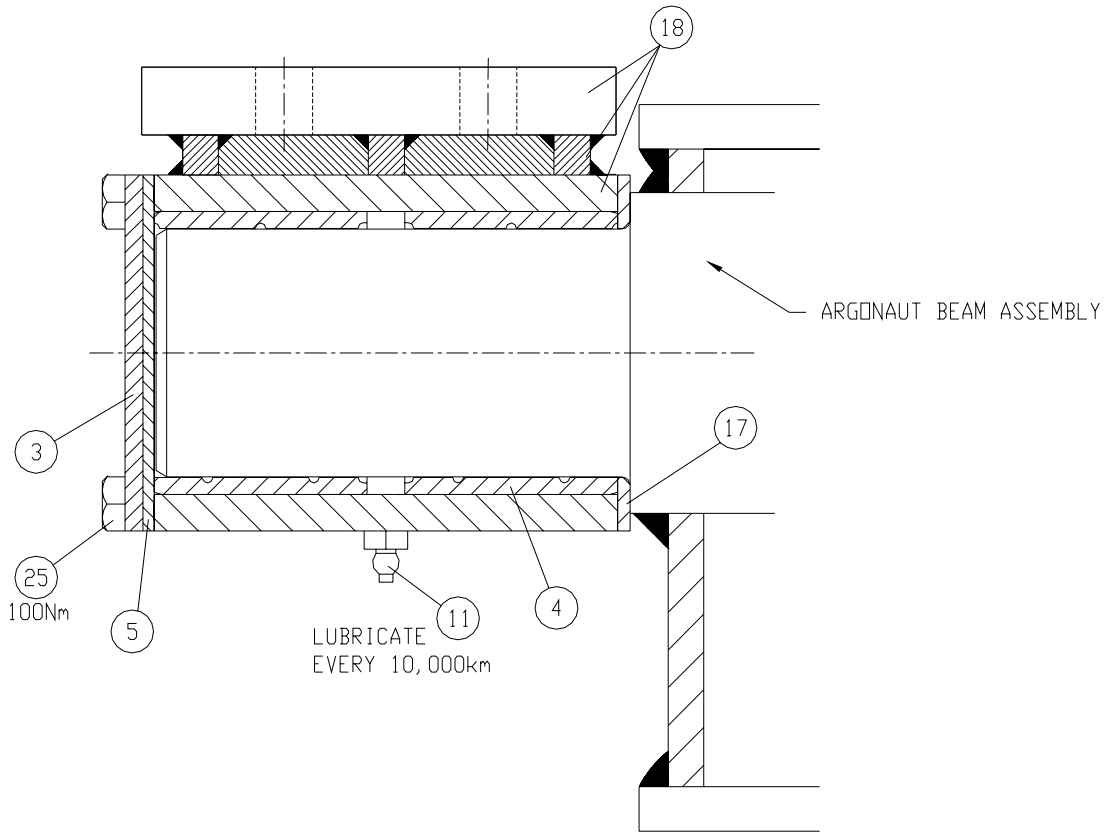


Assembly Note:

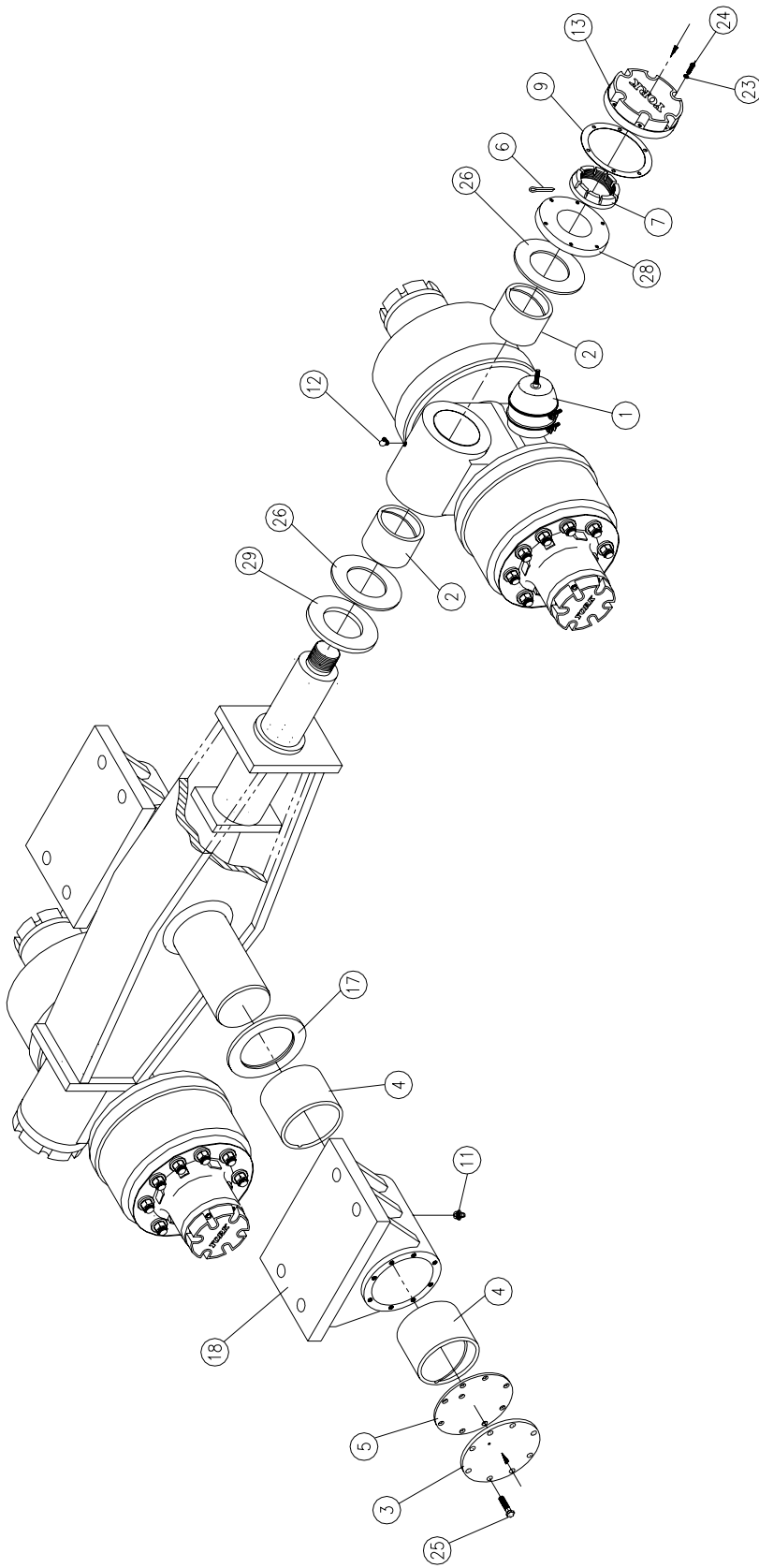
Tighten the Castellated Nut (item 7), within torque 140Nm - 200Nm. Set slot line up with pin hole. Insert Split Pin (item 6), through the hole and bend the pin.

Item	Part No.	Qty.	Description
2	501631	2	Main Bushing (Housing Assembly)
6	788891	1	Split Pin 8 Dia. x 50 lg
7	788890/YTE	1	Castellated Spindle Nut
9	502472	1	Gasket
12a	738016/05	1	90 Deg. Grease Nipple, 1/8" BSP
12b	738016/02	1	Straight Grease Nipple, 1/8" BSP
13	788901/YORK	1	Hub Cap - York
23	SW08	6	Washer (Hub Cap)
24	HB08/125/040	6	Flange Bolt, M8 x 1.25 x 40
26	WB0008	2	Thrust Bearing (B)
28	AG0194	1	End Thrust Washer
29	WB0069	1	Inner End Washer

Main Pivot Installation



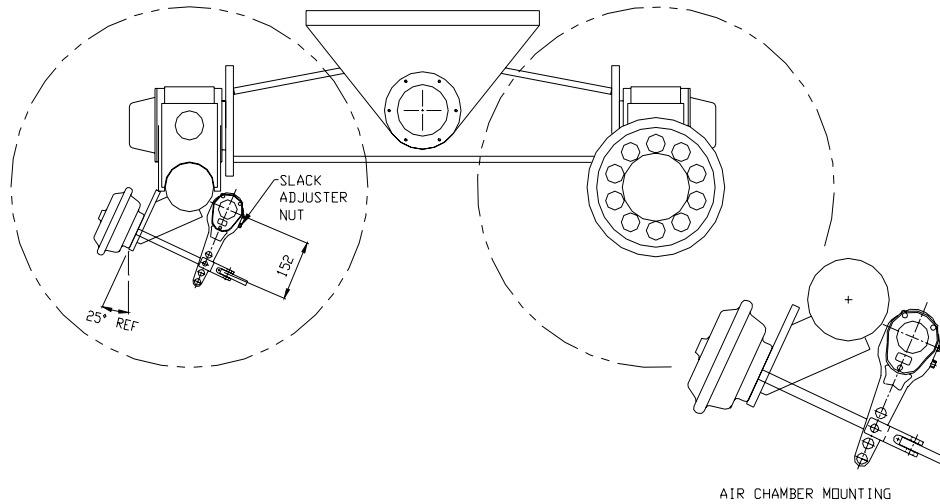
Item	Part No.	Qty.	Description
3	502224	1	Thrust Plate
4	502229	2	Main Pivot Bush
5	502230	1	Thrust Bearing
11	738016/02	1	Straight Grease Nipple, 1/8" BSP
17	AG0043	1	Washer
18	AG0045	1	Support Plate
25	HB12/175/050	8	Hex. Bolt, M12 x 1.75 x 50



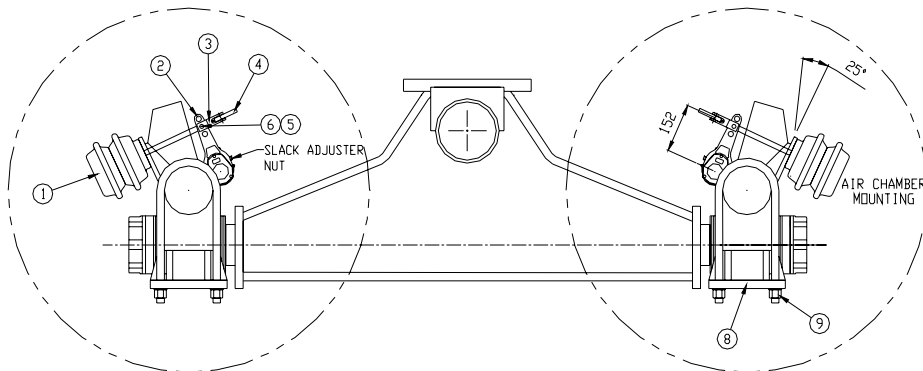
Item No.	Part No.	Description	Item No.	Part No.	Description
1	801009	T30/30 Spring Brake Chamber	13	788901	Hub Cap
2	501631	Main Bush	17	AG00043	Washer
3	502224	Thrust Plate	18	AG00045	Support Assembly
4	502229	Main Pivot Bush	23	SW08	M8 Spring Washer
5	502230	Thrust Bearing	24	HB08/125/040	M8x1.25x40 Hex. Bolt
6	788891	Split Pin (8.0 Dia.x 50)	25	HB12/175/050	M12x1.75x50Hex. Bolt
7	788890	Castellated Spindle Nut	26	WB0008	Thrust Washer (B)
9	502472	Hub Cap Gasket	28	AG0194	End Thrust Washer
11	738016/02	1/8" BSP Straight Grease Nipple	29	WB0069	Inner Washer
12	738016/05	1/8" BSP 90° Grease Nipple			

Air Chamber and Linkage

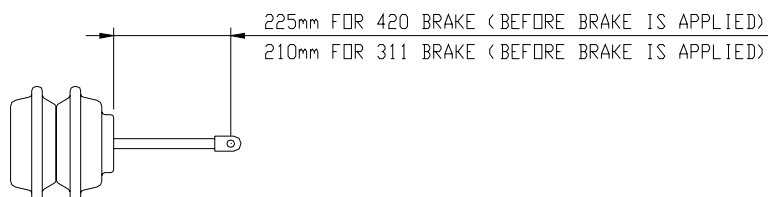
Overslung



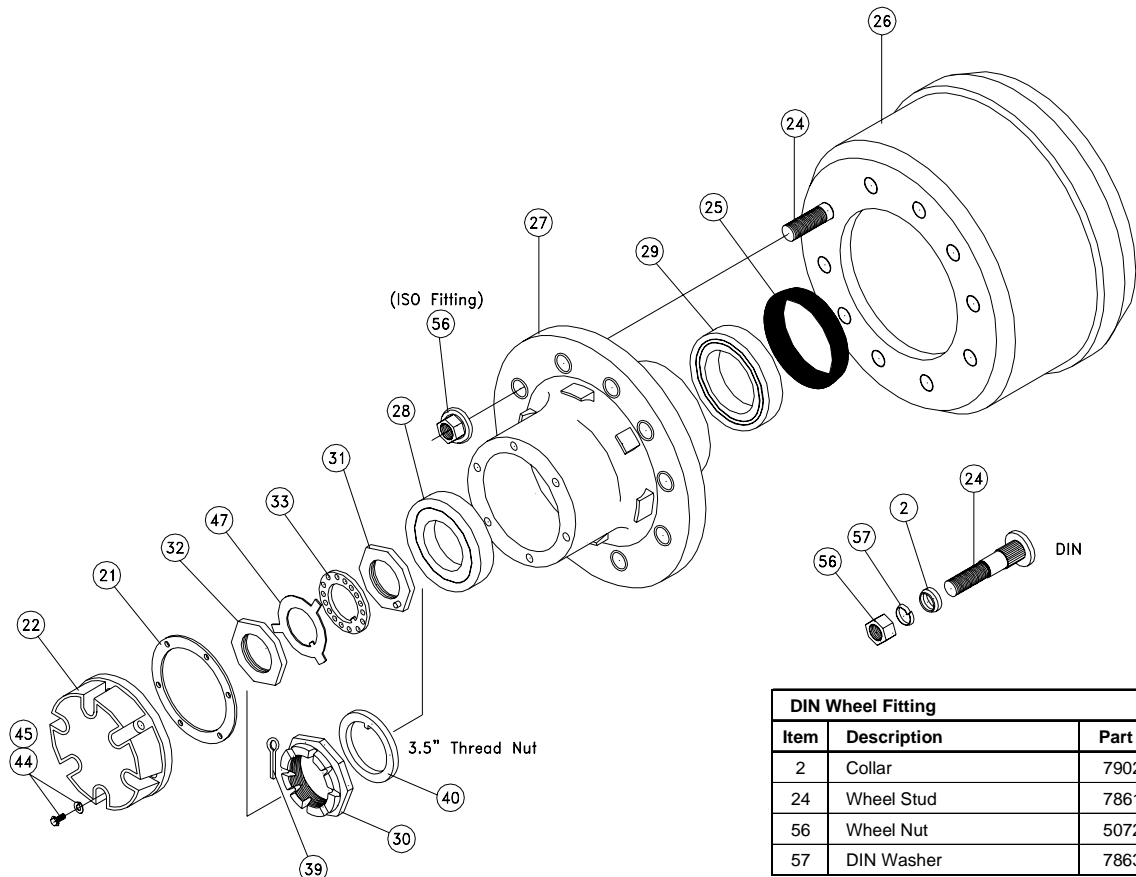
Underslung



Item	Description	AGB80/15	AGB100/20	AGB100/20U
		Part No.		
1	T30/30 Spring Chamber	801009	801009	801009
2	Slack Adjuster	730101/3	730101/3	730101/3
3	Fork End Bracket	AG5007	AG5007	AG5007
4	Compensator Bracket	502981/05	502981/03	502981/12
5	Clevis Pin	506716	506716	506716
6	Split Pin	SP3/25	SP3/25	SP3/25
7	Air Chamber Bracket	-	-	AG0129/02
8	Bottom Clamping Seat	-	-	AG0186
9	U-Bolt Assembly	-	-	503282/430



Axle Component - Hub and Drum



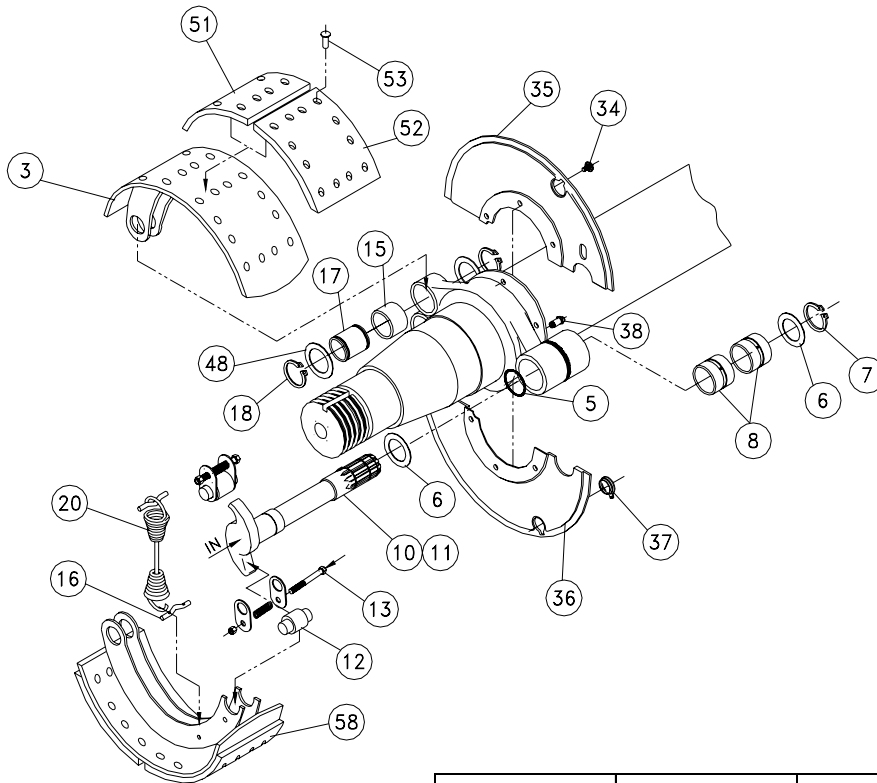
DIN Wheel Fitting		
Item	Description	Part No.
2	Collar	790209
24	Wheel Stud	786111
56	Wheel Nut	507246
57	DIN Washer	786331

Wheel and Drum Mounting
Wheel Stud
Hub Cap

ISO / Inboard
10 x M22 x 225
6 Holes

Item	Description	AGB80/15	AGB100/20	AGB100/20U
		Part No.		
21	Hub Cap Gasket	787719	502472	502472
22	Hub Cap	501715	788901	788901
24	Wheel Stud	786111	786111	786111
25	Hub Seal	786114	502776	502776
26	Drum	501774	788801	788801
27	Hub	786201	788805	788805
28	Outer Bearing	786116	786117	786117
29	Inner Bearing	786117	502285	502285
30	Castellated Spindle Nut, 3.5" Thread	-	788890	788890
31	Spindle Adjustment Nut	502461	-	-
32	Spindle Locknut	502462	-	-
33	Lockwasher (Spindle)	501123	-	-
39	Split Pin (8 Dia. x 50 LG)	-	788891	788891
40	Thrust Washer (Outer Bearing)	-	788889	788889
44	Bolt (Hub Cap)	FB08/125/025	HB08/125/040	HB08/125/040
45	Washer (Hub Cap)	-	SW08	SW08
47	Tablock Washer (Spindle)	790044	-	-
56	Wheel Nut	502917	502917	502917

Axle Component - Brake Parts



Item	Description	AGB80/15	AGB100/20	AGB100/20U
		Part No.		
3	Brake Shoe	502904/02	502906/02	502906/02
5	O-Ring (Camshaft)	500375	500375	500375
6	Spacer Washer (Camshaft)	500358	500358	500358
7	Circlip (Camshaft)	500374	500374	500374
8	Camshaft Bush	503087	503087	503087
10	Camshaft (LH)	507810/02L	507557/01L	507557/01L
11	Camshaft (RH)	507810/02R	507557/01R	507557/01R
12	Cam Roller	500356	500356/01	500356/01
13	Roller Holder (for 2 rollers)	787722/01	787722/01	787722/01
15	Anchor Pin Bush	501787	501787	501787
16	Pin Return Spring	500372	500372	500372
17	Anchor Pin	501995	501995	501995
18	Circlip (Anchor Pin)	758525	758525	758525
20	Return Spring	501551	786289	786289
34	Flange Bolt (Dust Cover)	FB08/125/016	FB08/125/016	FB08/125/016
35	Dust Cover (LH)	501577	790069	790069
36	Dust Cover (RH)	501576	790070	790070
37	Dust Cover Plug	500848	500848	500848
38	Grease Nipple (Camshaft)	738016/05	738016/05	738016/05
48	Anchor Pin Washer	501996	501996	501996
51	Anchor Lining (Non-Asbestos)	501572/02	786284/02	786284/02
52	Cam Lining (Non-Asbestos)	501570/02	786283/02	786283/02
53	Rivet (Brake Lining)	502245	502245	502245
58	Lined Shoe Assy. (Non-Asbestos)	SB502246/02	SB502065/02	SB502065/02